

1. Purpose of the Standard

This standard defines an interface which insures a secure and quick installation or replacement of a decoder or function decoder.

Note: Interfaces according to this standard sheet essentially correspond to those according to RailCommunity standard RCN-122 (www.railcommunity.org) which also details this family of connectors.

2. Description of the Interface

This interface is usable for AC-Motors (2 field coils), DC-Motors or bell rotor DC-Motors. 8 outputs are provided for functions and 2 inputs are provided for sensors. The required room for installation of the decoder and its dimension are integral part of this standard.

2.1 Mechanical Characteristics

The interface on the system PCB (printed circuit board) consists of 22 pin male plugs arranged in two rows with 1.27 mm interval. The dimension of the decoder are at most 30 (L) x 15.5 (W(B)) x 6.5 (H) mm. The system PCB must provide sufficient room in order to plug in the decoder without force on the PCB.

Male and female plugs form a bridge consisting of 11 contacts in two rows. Preferred is a soldering of the plugs on the system PCB. Not installing pin 11 and blocking the associated socket insures the correct insertion on the PCB.

2.1.1 Decoder

The decoder is provided with a bridge of female plugs. The plugs are oriented on the low side of the decoder PCB.

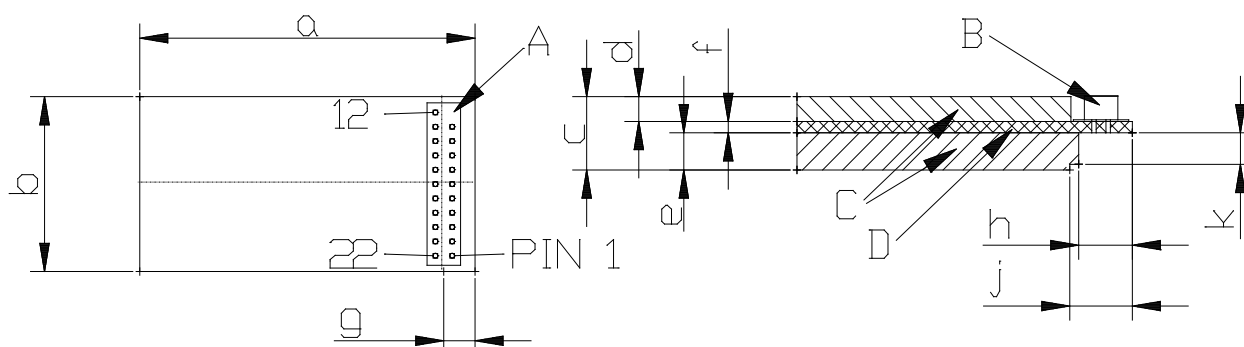


Fig. 1: Decoder with female plugs, plan view and side view for compact plug variant
A = Index position Pin 1
B = Socket
C = Components on the top and bottom
D = Decoder board

The lower-case letters in Table 1 correspond to the following dimensions. Unless otherwise stated, all values are maximum dimensions.

Table 1:

a	Length	30.0
b	Width	15.5
c	Total height	6.5
d	Equipment height above	2.2
e	Assembly height below	3.3
f	Board thickness	1.0
g	Distance between the center of the socket strip and the edge	2.8 exact
h	Area to be kept clear on the underside	4.8
j	Area with reduced equipment height	5.8
k	Reduced assembly height	2.8

The bridge of plugs must be located from the edge of the PCB as shown in Fig. 1. The decoder may be shorter than $L = 30$ mm.

The maximum height of the decoder is given and must be observed. Fig. 2 shows the assembly.

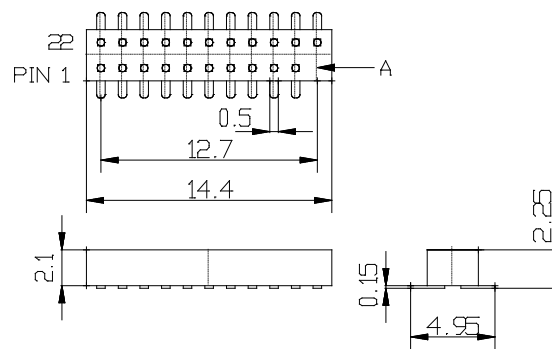


Fig. 2: Typical socket connections for decoders, A = Index position Pin 11

2.1.2. System PCB

The system PCB provides the housing for the decoder according to its maximum dimensions, without using any force to plug in. Sufficient space should be provided to install or uninstall the decoder without any special tool. A suitable male pin arrangement shows Fig. 3.

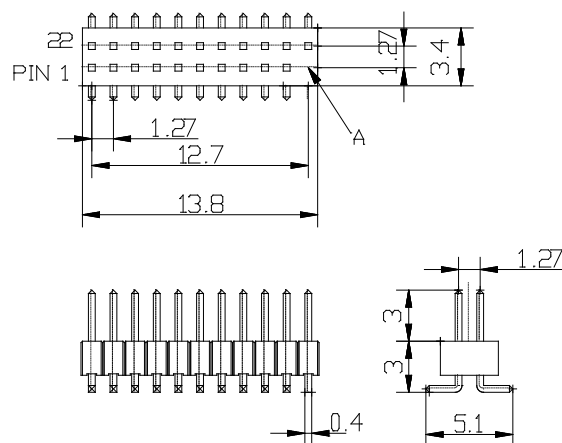


Fig. 3: Typical pin header for vehicles, A = Index position Pin 11

Male and female plugs have common dimensions of this type of connections. The male plugs consist of a length of 3 mm and have either a square profile of 0.40 x 0.40 mm shape or a round profile with 0.43 mm diameter. The surface is gilded and allows a maximum current of 1A.

2.1.3. Decoder-Mounting

It is possible to mount the decoder in two different positions.

2.1.3.1 Compact variant

The compact mounting results in the smallest space requirements. In this case the decoder is plugged in with the female plugs on top. The male pins make contact through the PCB of the decoder. The decoder sits plane on the system PCB.

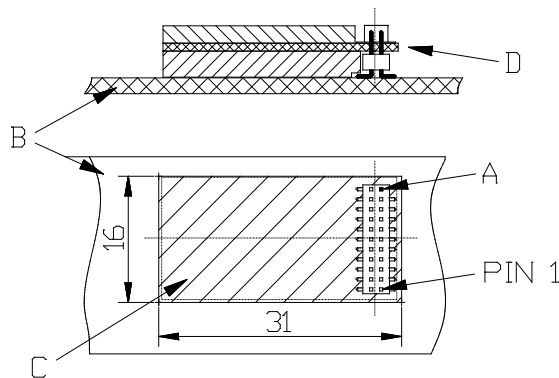


Fig. 4: Compact variant
 A = Index position Pin11
 B = Circuit board in the vehicle
 C = On the board in the vehicle of components area to be kept clear
 D = Decoder board

2.1.3.2 Rotated variant

If there is enough height available, but no free space on the vehicle board, the vehicle manufacturer can use the rotated variant. The decoder is plugged in with the socket facing downwards (towards the vehicle circuit board). The assignment of the connector on the vehicle circuit board must be mirrored in the axis of pin 6 and 17.

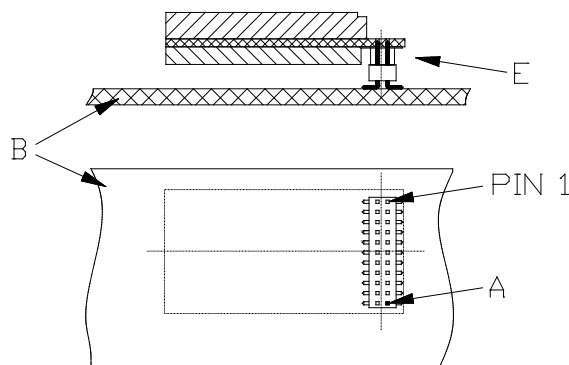


Fig. 5: Rotated variant
 A = Index position Pin 11
 B = circuit board in the vehicle
 E = Pin header

Vehicles with a factory-installed interface to this standard must be clearly marked with the logo 21MTC on the packaging:



2.2 Electrical Characteristics

Manufacturers of this decoder must specify the maximum current allowed to drawn for each output. In case the decoder utilizes a flat ribbon cable with a connector at the remote end, applying the wire color specification is optional. The colors only are required for standard extension cables.

2.3 Pin Assignments of the interface for using decoders

The pin assignments for 21MTC are defined in Table 2:

Table 2: Pin assignments, description and definition of function

Pin	Name	Color	Description	Group
1	Input1		Sensor-Input 1	4
2	Input2		Sensor-input 2	4
3	AUX6		Output 6	8
4	AUX4		Output 4	8
5	ZBCLK		Trains Bus Clock	7
6	ZBDTA		Train Bus Data (TxD, RxD)	7
7	F0r	yellow	Light direction rear	5
8	F0f	white	Light direction forward	5
9	LS/A	brown	Speaker Connection A	6
10	LS/B	brown	Speaker Connection B	6
11	Index		Not used, Orientation	
12	Vcc		Internal Decoder-Voltage 1.8 – 5.7 Volt	2
13	AUX3		Output 3	8
14	AUX2	violet	Output 2	5
15	AUX1	green	Output 1	5
16	V+	blue	Decoder Plus, referenced at rectifier, port storage capacitor	2
17	AUX5		Output 5	8
18	Motor2	grey	Motor-connection #2 minus ¹⁾	3
19	Motor1	orange	Motor-connection #1 plus ¹⁾	3
20	GND		Decoder Ground minus, referenced ar rectifier	2
21	Power pick-up left	black	Power pick-up left in direction forward	1
22	Power pick-up right	red	Power pick-up right in direction forward	1

¹⁾ The specified polarity refers to the motor connections for direction of travel 1 (forward) as per NEM 631.

Annotations for the Groups:

- Group 1:** When supplied with AC-Motors Pin 21 is connected to the wheels and Pin 22 to the power pick-up to the middle rail.
- Group 2:** Pin 12 is not mandatory. It is recommended to use this connection only for the access bus interface.
- Group 3:** Pin 19 is field coil A, Pin 18 is field coil B for AC-Motors.
- Group 4:** Pin 1 and 2 are open collector inputs and are switched to GND. The input resistance should be approx. 100 kΩ. Sensor-Input 1 should be used for wheel synchronization on steam locomotives.
- Group 5:** In case the rear lights are connected to the decoder separately, the rear lights of vehicle in forward direction 1 are switched with Pin 15 and those in rear direction 2 with Pin 14.
- Group 6:** The speaker impedance is defined by the decoder manufacturer and is as such documented.
- Group 7:** The microcontroller-pins of the train bus are connected through a serial resistor with a maximum of 470 Ω.
- Group 8:** Outputs are defined as logic-level according to Table 3D, against GND and with maximum load 0.5 mA.

Table 3:

	Voltage Level Decoder Output	Voltage Level for switching element on system board
Function Switched Off	≤ 0.4 V	≤ 0.8 V
Function Switched On	≥ 2.4 V	≥ 2.0 V

3. Operation without Decoder

When operating without a decoder, a female jumper plug must be used, which connects at least the power pick-up of right rail (Pin 22) with Motor1 (Pin 19) and Power pick-up of left rail (Pin 21) with Motor2 (Pin 18).

If lights exist the appropriate pins on the jumper plug must be bridged.

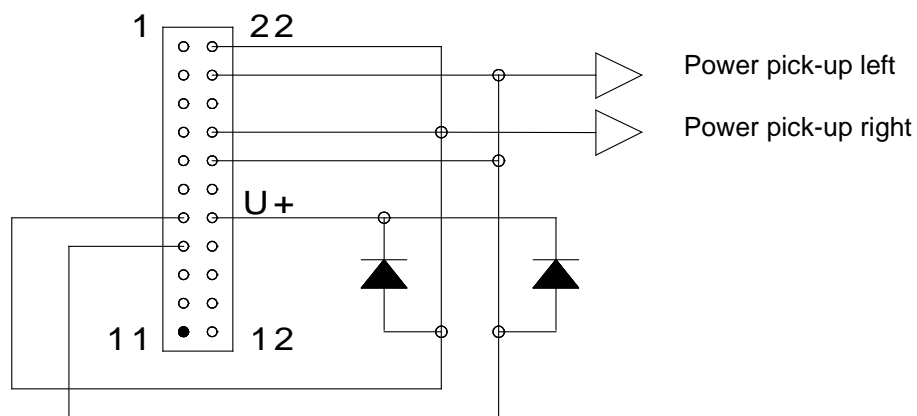


Fig. 6: Typical Jumper plug

Depending of the wiring of the function outputs in the vehicle, the vehicle manufacturer can produce a jumper plug specific to the vehicle that connects other outputs.